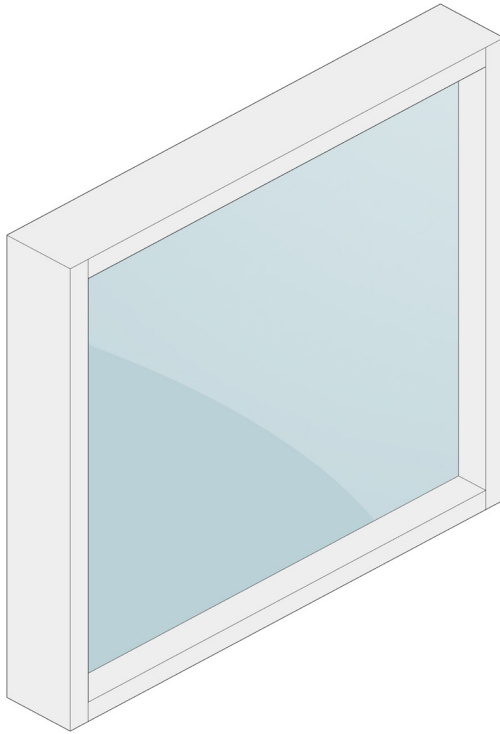


INSTALLATION GUIDE LIGHTGLASS STANDALONE



LIGHTGLASS

For assistance
support@lightglasslighting.com
215-494-3350

INSTALL GUIDE REV 2.1

TABLE OF CONTENTS

SECTION 1

Preparing Finished Opening for:

Section 1a - Recessed (X) Mounting	2
Section 1b - Unistrut Clips (U) Mounting with Shroud	6
Section 1c - Cable Suspended (C) Mounting	10

SECTION 2

Wiring.....	16
-------------	----

SECTION 3

Faceplate Installation.....	18
-----------------------------	----

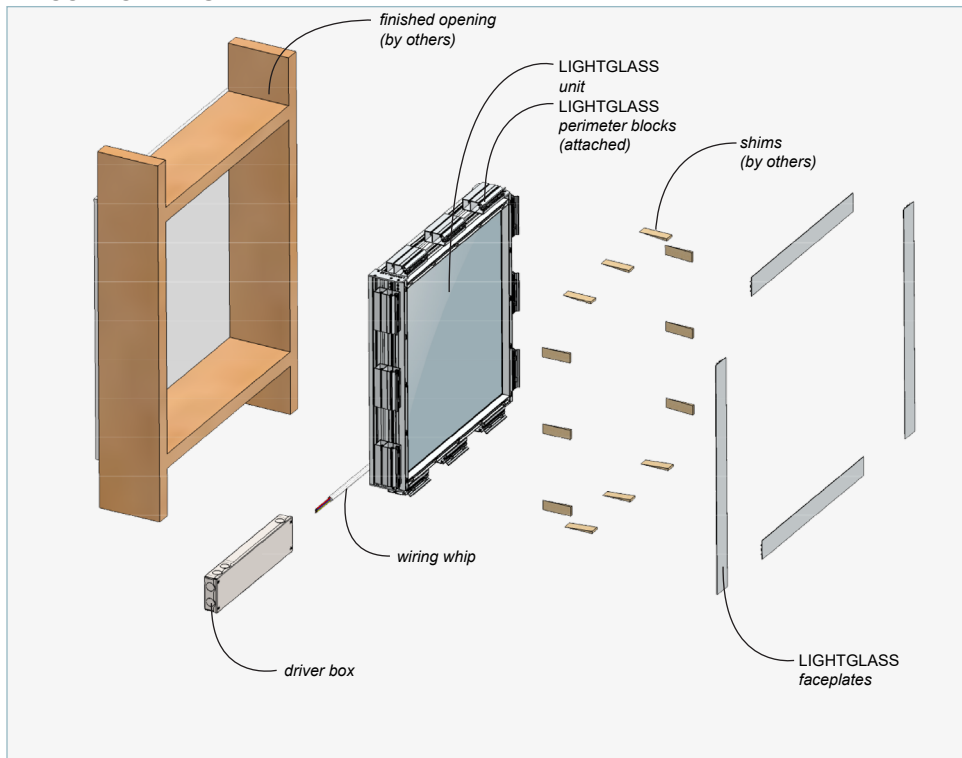
SECTION 4

Finishing.....	20
----------------	----

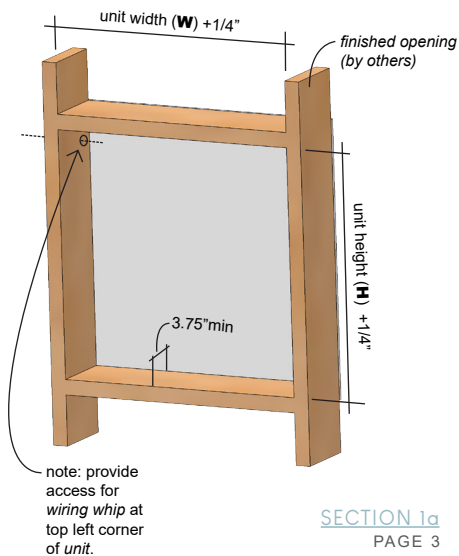
LIGHTGLASS

SECTION 1a

Preparing rough opening for
Recessed (X) Mounting

COMPONENTS**STEP 1**

Create a *finished opening* within the wall/ceiling that will receive LIGHTGLASS. The *finished opening* inner dimensions must be at least 1/4" longer than unit size.

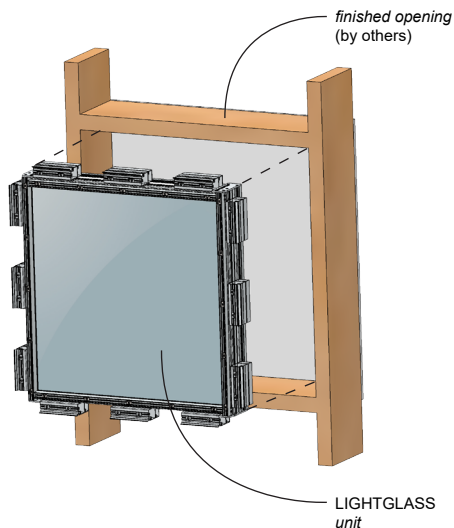


LIGHTGLASS

STEP 2

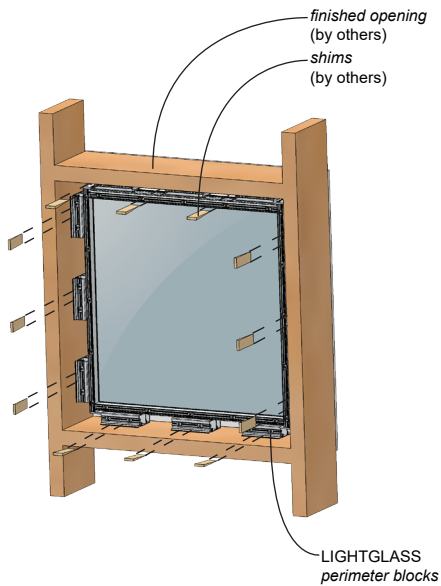
Insert LIGHTGLASS unit the entire depth of *finished opening*.

NOTE: Do not support unit by the glass.



STEP 3

Using *shims* between *finished opening* and *perimeter blocks*, level and center the unit as required.



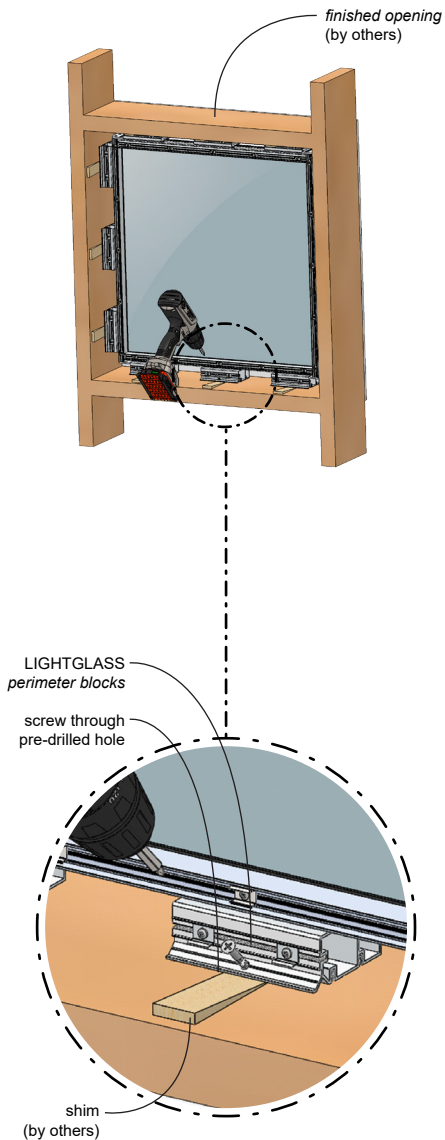
STEP 4

Secure unit to *finished opening* by fastening through pre-drilled holes in *perimeter blocks*.

Do not over-tighten fasteners.
#6 - #8 Screws recommended.

STEP 5

Remove any portion of *shims* that extend past *perimeter block*.



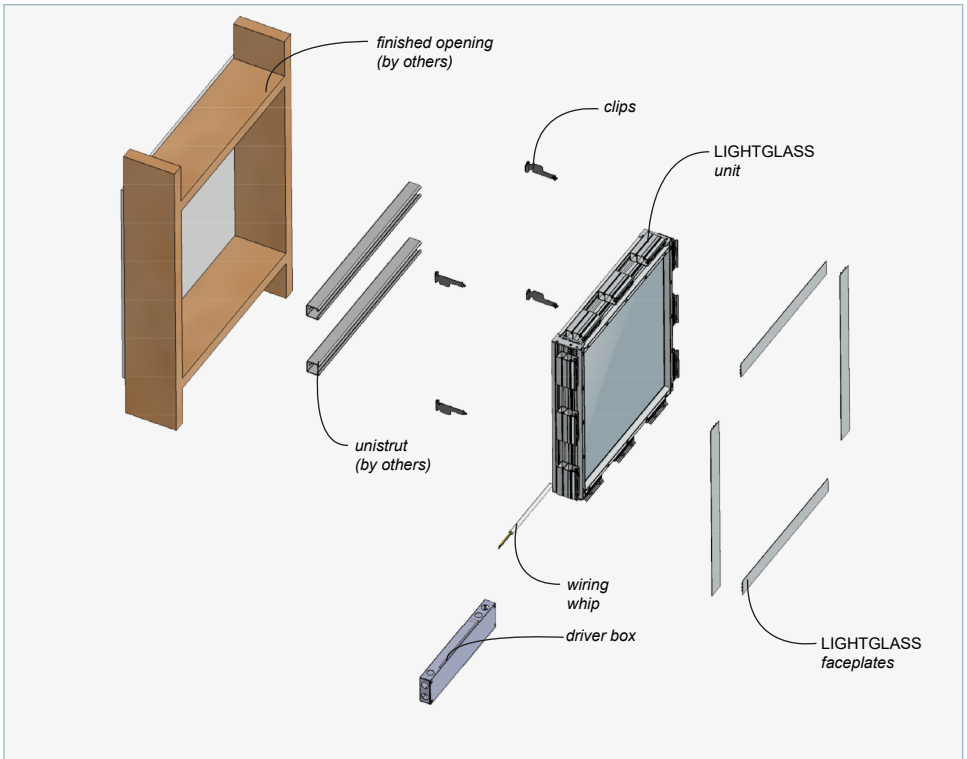
END OF SECTION 1a

See page 16 for next steps

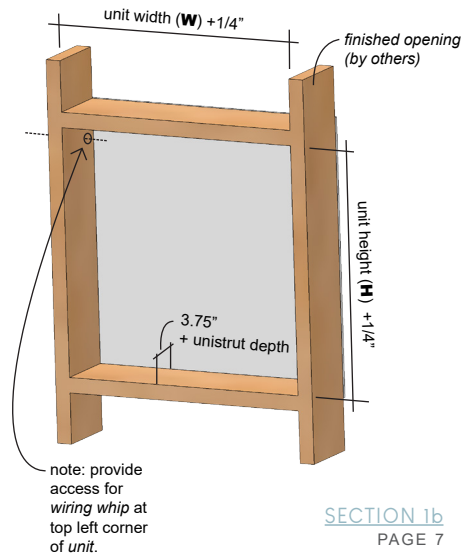
LIGHTGLASS

SECTION 1b

Preparing rough opening for
Unistrut (U) Mounting

COMPONENTS**STEP 1**

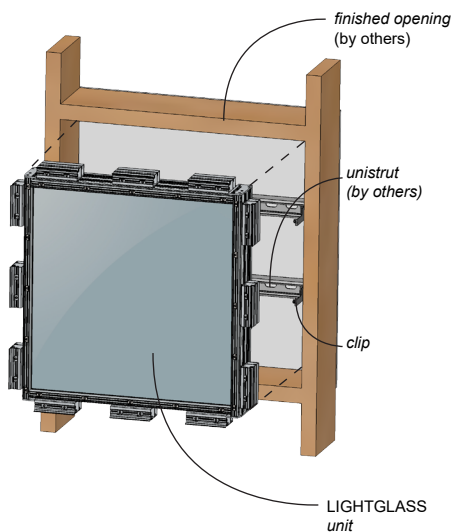
Create a *finished opening* within the wall/ceiling that will receive LIGHTGLASS. The *finished opening* inner dimensions must be at least 1/4" longer than unit size.



STEP 4

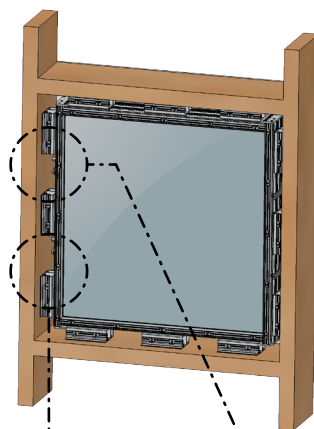
Insert LIGHTGLASS unit into the finished opening until rear panel of unit touches unistrut.

NOTE: Do not support unit by the glass.

**STEP 5**

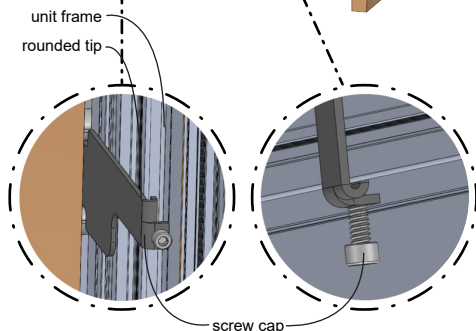
With unit in place, slide clips up against the side of the unit so that the clip's rounded tip hooks into the unit frame.

While supporting the unit during ceiling installations, unit may hang from clips once hooked before cap screw is tightened.

**STEP 6**

Tighten cap screws on each clip to secure unit against unistrut.

NOTE: Do not over-tighten cap screws as this may cause damage to the clips.



END OF SECTION 1b

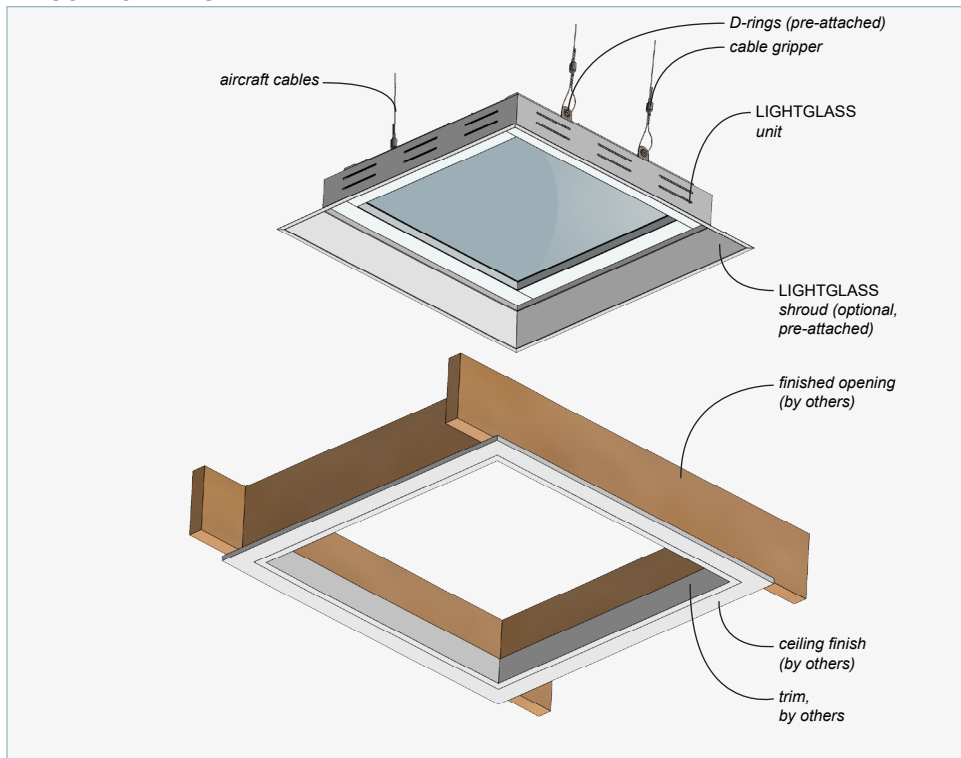
See page 16 for next steps

LIGHTGLASS

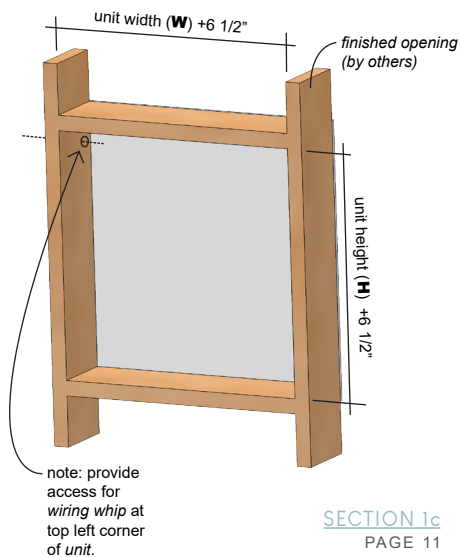
SECTION 1c

Preparing rough opening for
**Cable Suspended (C) Mounting
with Shroud**

IF INSTALLING INTO ACOUSTICAL CEILING TILE ASSEMBLY,
SKIP TO STEP 3.

COMPONENTS**STEP 1**

Create a *finished opening* within the ceiling that will receive LIGHTGLASS. The *finished opening* inner dimensions must be at least 6 1/2" longer than unit size.

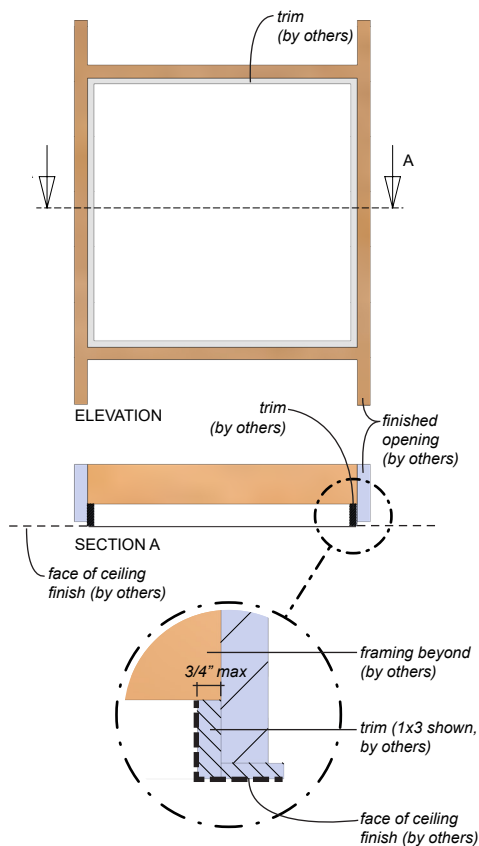
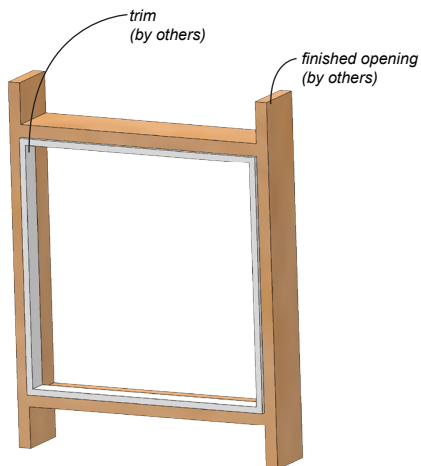


LIGHTGLASS

STEP 2

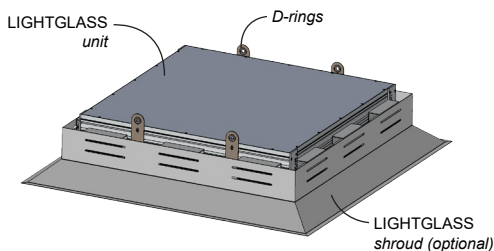
Fasten *trim* to *finished opening*. *Trim* shall support unit's weight and must be fastened securely to finished opening. *Trim* thickness must not exceed 3/4" (standard 1x3 wood trim is acceptable, as shown). Paint *trim* to match ceiling finish, if applicable.

NOTE: For a flush ceiling return, bottom of *trim* to align with face of ceiling finish. Seal and paint as required.



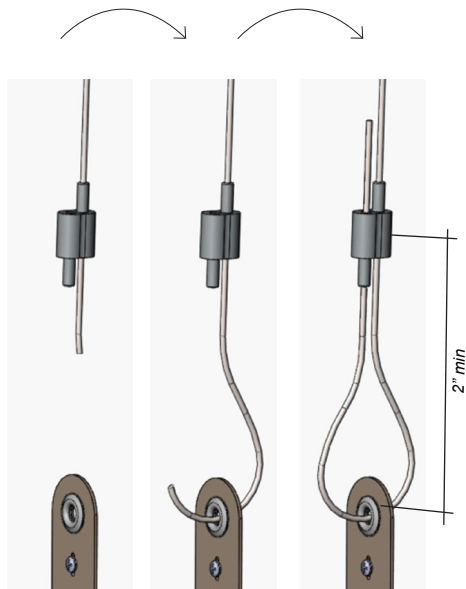
STEP 3

With the glass of the unit facing down, locate the pre-attached D-rings on top of the unit.



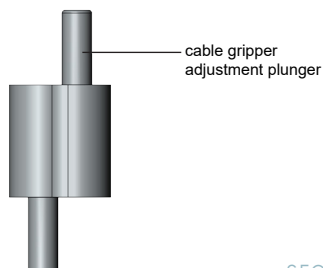
Loop the aircraft cables through one side of the cable gripper and then through the D-rings. Then loop the cable back through the other side of the cable gripper, leaving at least 2" of space between D-ring and cable gripper.

NOTE: At locations where ceiling has been installed, wiring must be completed before unit is secured in place.

**STEP 4**

Adjust the aircraft cable heights by pushing down on the cable gripper adjustment plungers until the unit is level.

NOTE: Cables must bear entire load of unit in acoustical ceiling tile assemblies.



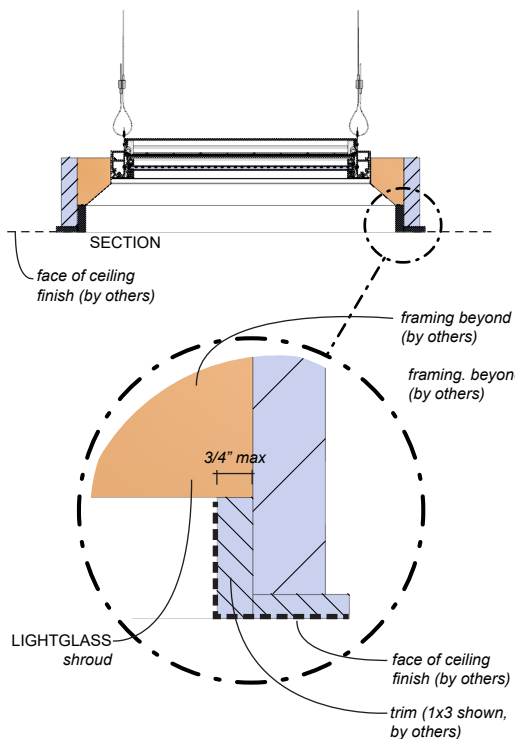
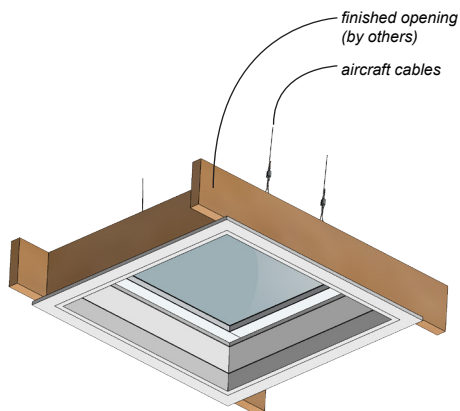
LIGHTGLASS

STEP 5

Place *unit* within *finished opening*.

For installations with *shrouds*, bottom of *shroud* to rest on top of *trim*. *Trim* shall support *unit's* weight when installed properly.

For installations in acoustical ceiling tiles, *trim* is not required and the entire weight of *unit* and *shroud* to be supported by *aircraft cables*.



END OF SECTION 1c

See page 16 for next steps

LIGHTGLASS

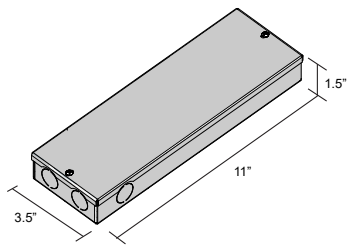
SECTION 2

Wiring

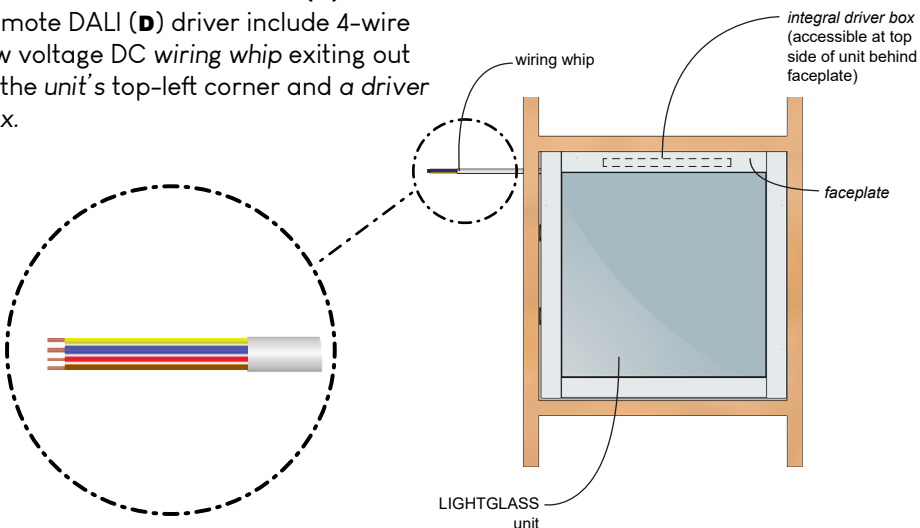
DRIVER TYPES AND WIRING

The drivers must be connected with 90/277 VAC and relevant control wires (0-10V or otherwise) during install.

Units ordered with Integral (**I**) drivers will arrive with pre-connected wires from LIGHTGLASS unit to provided driver box. Integral driver box is pre-attached to top side of unit behind the faceplate. Driver box can be slid outwards for wiring access.



Units ordered with a remote (**R**) or Remote DALI (**D**) driver include 4-wire low voltage DC wiring whip exiting out of the unit's top-left corner and a driver box.



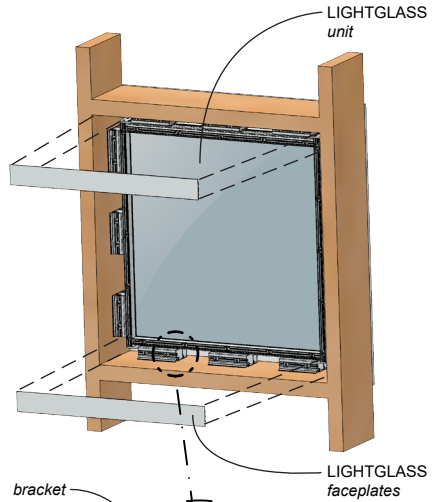
LIGHTGLASS

SECTION 3

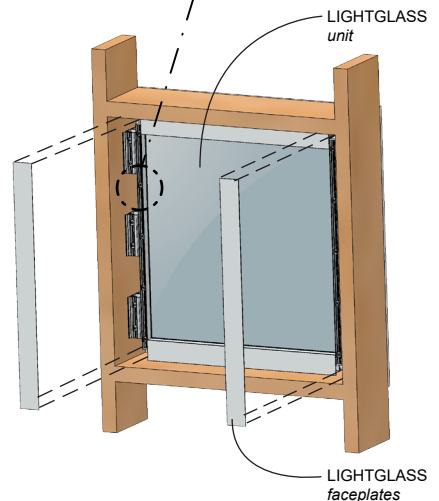
Faceplate Installation

STEP 1

Starting with horizontal *faceplates*, push the *faceplates* firmly up against *brackets* along *unit* until they snap in place.

**STEP 2**

Repeat the previous step with the vertical *faceplates*, pushing firmly until they snap in place.



END OF SECTION 3

LIGHTGLASS

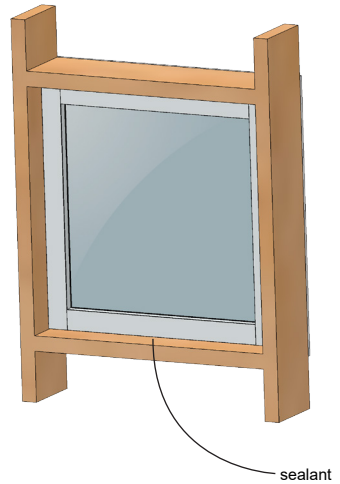
SECTION 4

Finishing

STEP 1 (OPTIONAL)

Apply sealant at perimeter of unit between faceplates and returns at wall/ceiling opening, if applicable.

NOTE: Faceplates to be removable. Finishes or materials at wall/ceiling opening cannot obstruct faceplate removal.



END OF SECTION 4

For assistance
support@lightglasslighting.com
215-494-3350

INSTALL GUIDE REV 2.1