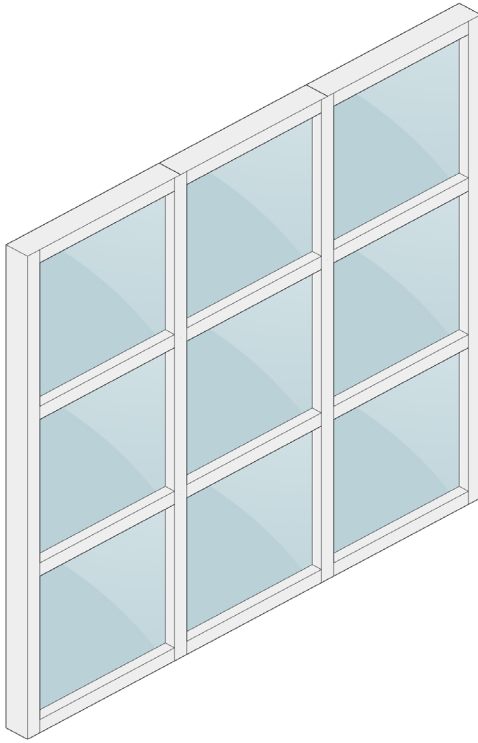


INSTALLATION GUIDE LIGHTGLASS ARRAY



LIGHTGLASS

For assistance
support@lightglasslighting.com
215-494-3350

INSTALL GUIDE REV 2.1

TABLE OF CONTENTS

SECTION 1

Preparing Finished Opening for Installation and Mounting.....2

SECTION 2

Wiring.....8

SECTION 3

Faceplate Installation.....10

SECTION 4

Finishing.....12

LIGHTGLASS

SECTION 1

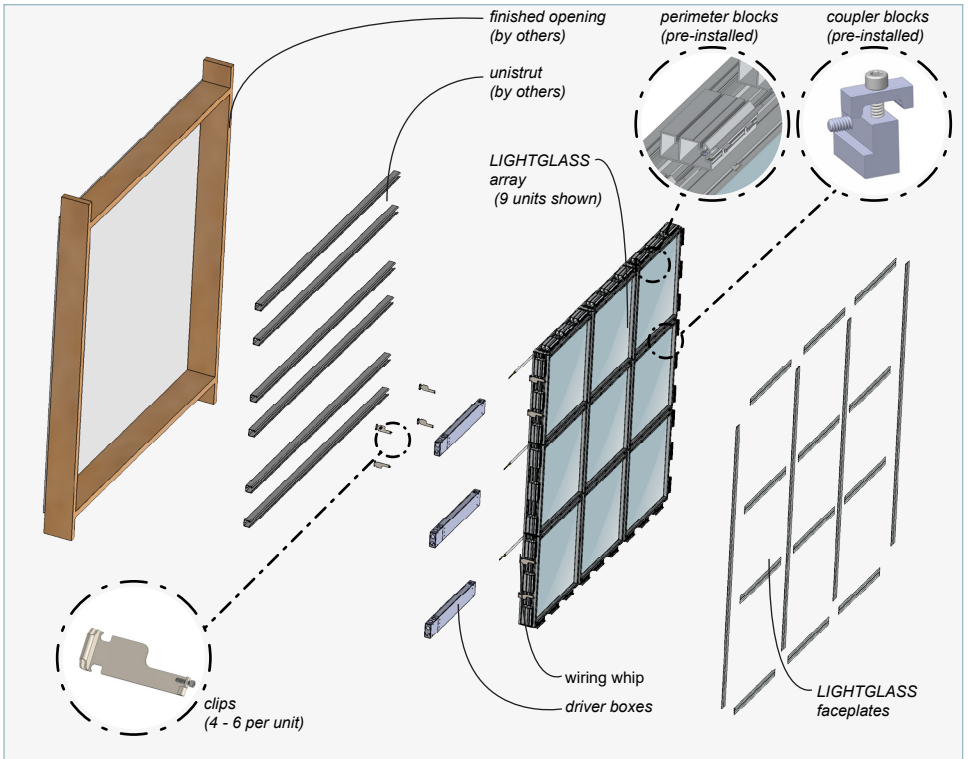
Preparing rough opening for Installation and Mounting

IMPORTANT:

ALL LIGHTGLASS ARRAY INSTALLATIONS WILL BE PROVIDED WITH SUBMITTAL DRAWINGS SPECIFIC TO THE PROJECT.

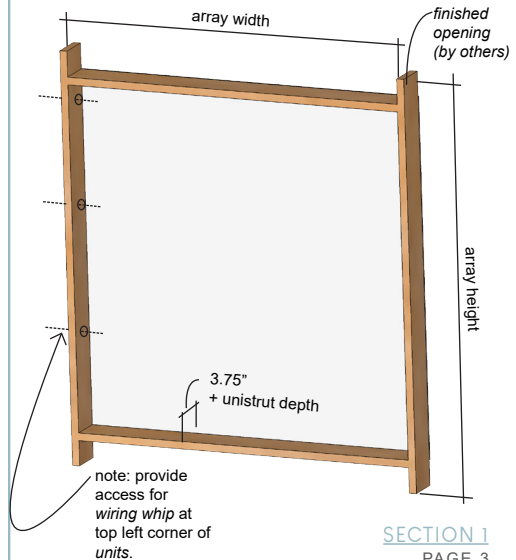
THESE DRAWINGS DEFINE PROJECT-SPECIFIC INFORMATION SUCH AS ARRAY WIDTH, ARRAY HEIGHT, UNISTRUT MOUNTING LOCATIONS AND CLEARANCES.

COMPONENTS



STEP 1

Create a *finished opening* within the wall/ceiling that will receive LIGHTGLASS. Refer to provided LIGHTGLASS ARRAY submittal with installation instructions specific to the project.



LIGHTGLASS

STEP 2

Cut *unistrut* to fit within the entire width of *finished opening*.

Locate *unistrut* per provided submittal drawings.

Fastened *unistrut* to structure. For wall installations, *unistrut* to be installed horizontally.

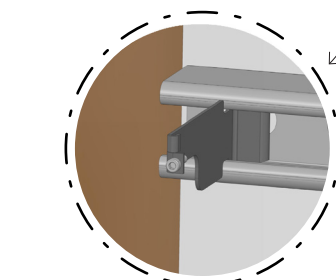
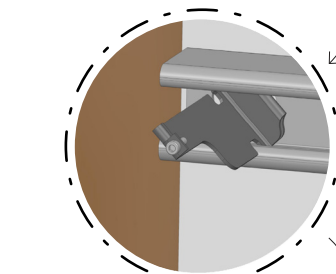
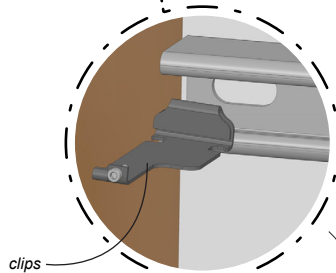
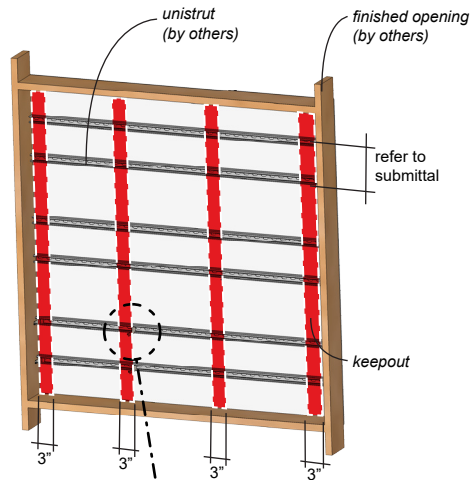
DO NOT FASTEN UNISTRUT TO STRUCTURE WITHIN DESIGNATED 3" KEEPOUT ZONES. REFER TO SUBMITTAL FOR KEEPOUT LOCATIONS. (INDICATED IN RED)

STEP 3

Clips to occupy *keepout* zones. Insert and rotate *clips* 90° into *unistrut* as shown.

NOTE: Move *clips* apart to allow LIGHTGLASS unit to fit between them in next step.

UNITS MUST BE INSTALLED SEQUENTIALLY. SEE SUBMITTAL DRAWINGS.



STEP 4

Units to be installed sequentially as defined in submittal drawings. Slide LIGHTGLASS unit into the finished opening between clips until rear panel of unit touches unistrut. Perimeter blocks should be within 1/8" of finished opening.

NOTE: Do not support unit by the glass.

STEP 5

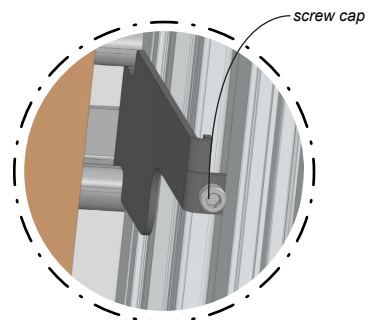
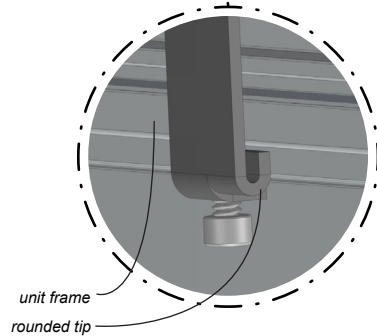
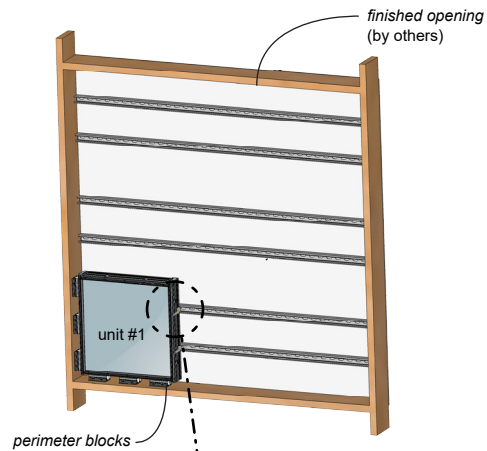
With first unit in place, slide clips up against the side of the unit so that the clip's rounded tip hooks into the unit frame.

For ceiling installations, unit may hang from clips once hooked until cap screw is tightened.

STEP 6

Tighten cap screws on each clip to secure first unit against unistrut.

NOTE: Do not over-tighten cap screws as this may cause damage to the clips.



LIGHTGLASS

STEP 7

Install remaining *units* sequentially as define in submittal drawings.

STEP 8

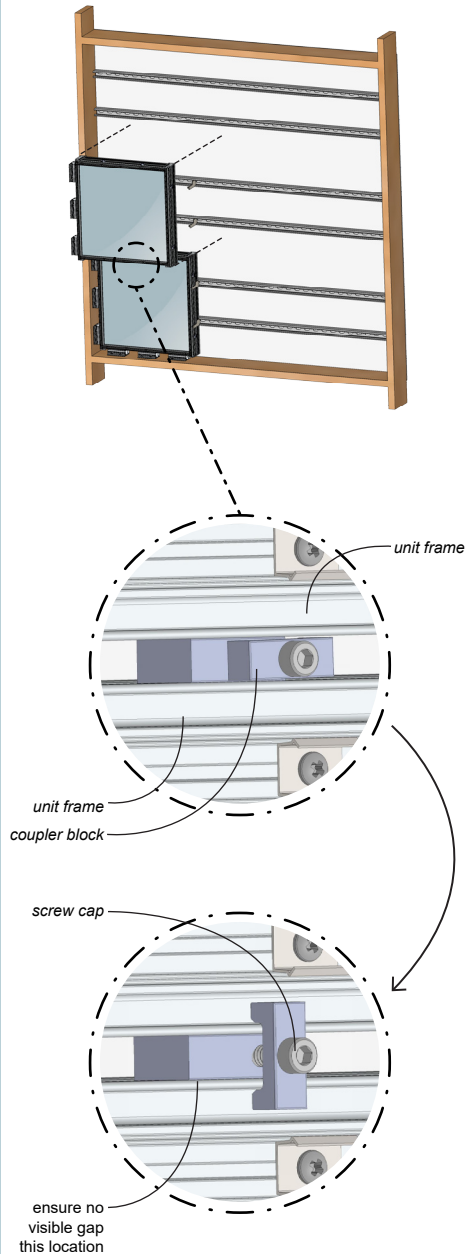
Once a *unit* is in place, rotate top half of *coupler block* 90° to overlap *units* on either side.

Cap screws on *clips* may need to be slightly loosened in order to allow neighboring *units* to align properly to one another before being fastened completely in place.

STEP 9

Tighten *cap screws* on each *coupler block* until there is no visible gap between the *coupler block* and the side of the *unit*.

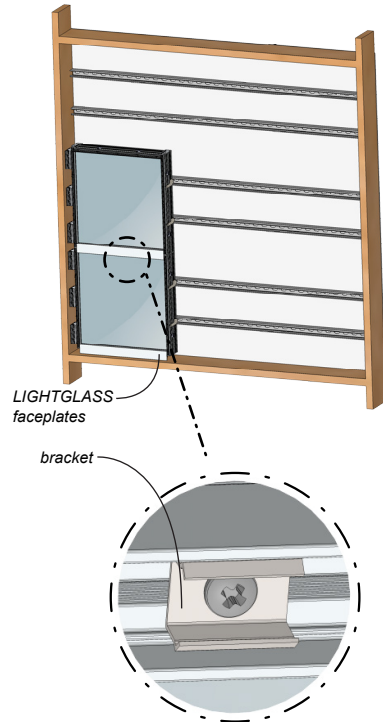
Once *coupler blocks* are secured, *cap screws* on *clips* may need to be tightened further to ensure a proper install.



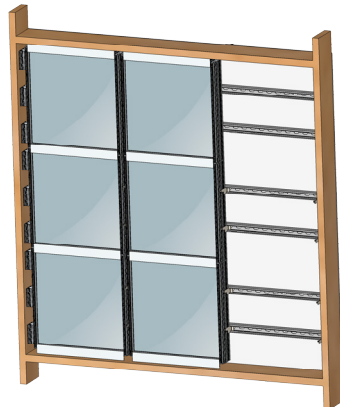
STEP 10

Install horizontal *faceplates* as *units* are installed.

Ensure *units* are properly aligned and tight to one another before pushing *faceplates* into pre-attached *brackets*. *Faceplates* should snap into place on properly installed and aligned *units*.

**STEP 11**

Repeat steps 3 to 10 for all remaining *units* sequentially as defined in submittal drawings.



END OF SECTION 1

LIGHTGLASS

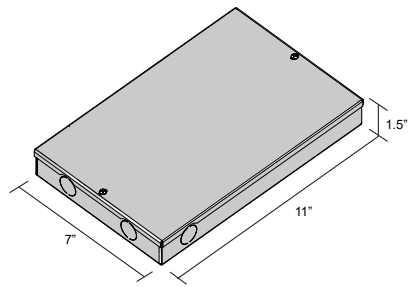
SECTION 2

Wiring

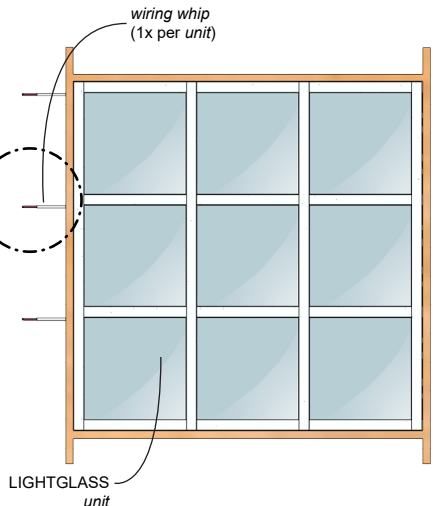
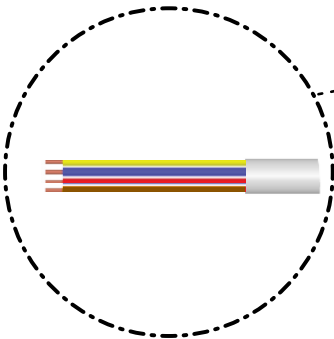
DRIVER TYPES AND WIRING

The drivers must be connected with 90/277 VAC and relevant control wires (0-10V or otherwise) during install.

Units ordered with Integral (**I**) drivers will arrive with pre-connected wires from LIGHTGLASS unit to provided driver boxes. Integral driver boxes are pre-attached to top side of each unit behind the faceplates. Integral drivers are only available for a single row of units (Layout X = 1). Driver boxes can be slid outwards for wiring access.



Units ordered with a remote (**R**) or Remote DALI (**D**) driver include 4-wire low voltage DC wiring whip exiting out of the unit's top-left corner and a driver box.



DO NOT CONNECT LIGHTGLASS UNIT DIRECTLY TO LINE VOLTAGE.
 This will result in permanent damage and all warranty will be void.

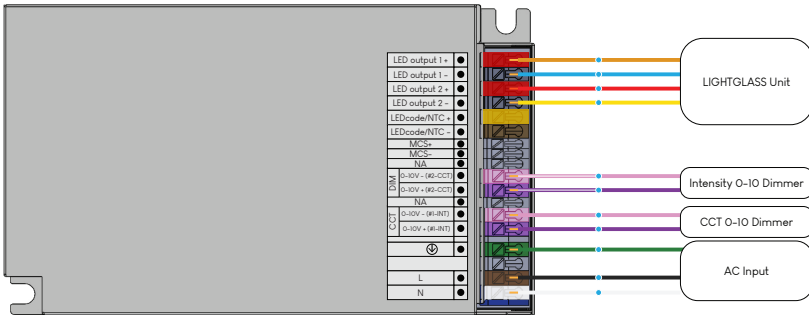
WIRE LEGEND

- White
- Black
- Red
- Blue
- Orange
- Yellow
- Pink
- Pink + White Stripe
- Purple
- Purple + White Stripe
- Green (Ground)
- Wire Junction

TYPE	US	EU
Line / Phases	Black	Brown
Neutral	White	Blue
Ground	Green	Green / Yellow

TYPE	Color
CH2-	Yellow
CH2+	Red
CH1-	Blue
CH1+	Orange

TYPE	Color
CCT -	Pink
CCT +	Purple
DIM -	Pink + White Stripe
DIM +	Purple + White Stripe



The eldoLED driver used by LIGHTGLASS has the ability to control both the intensity of light and color temperature of light (on certain models). This is accomplished VIA two 0-10 channels. One controls color temperature, one controls intensity.

NOTE: If using integral driver, please reference “Integral Wiring Guide (2-Channel 0-10 Driver Specs)”

END OF SECTION 2

LIGHTGLASS

SECTION 3

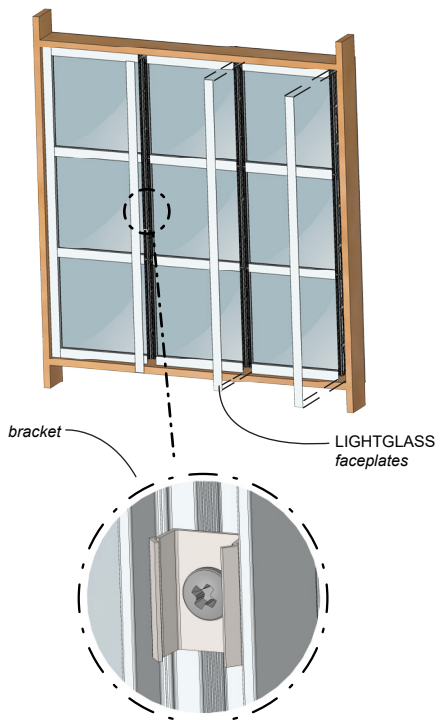
Faceplate Installation

STEP 1

With *units* and horizontal *faceplates* already installed, install continuous vertical *faceplates* by pushing them in place against the pre-attached *brackets*.

STEP 2

Repeat the previous step with the remaining vertical *faceplates*, pushing firmly against *brackets* until *faceplates* snap in place.



END OF SECTION 3

LIGHTGLASS

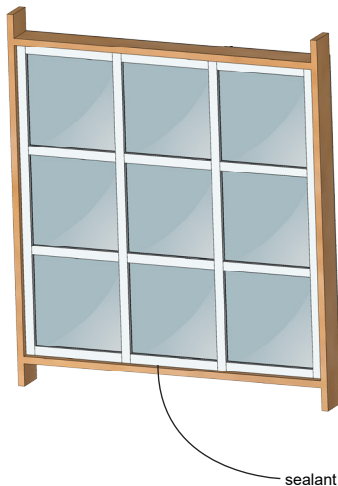
SECTION 4

Finishing

STEP 1 (OPTIONAL)

Apply sealant around the perimeter of the array between *faceplates* and returns at wall/ceiling opening, if applicable.

NOTE: **Faceplates** to be removable. Finishes or materials at wall/ceiling opening cannot obstruct *faceplate* removal.



END OF SECTION 4

For assistance
support@lightglasslighting.com
215-494-3350

INSTALL GUIDE REV 2.1